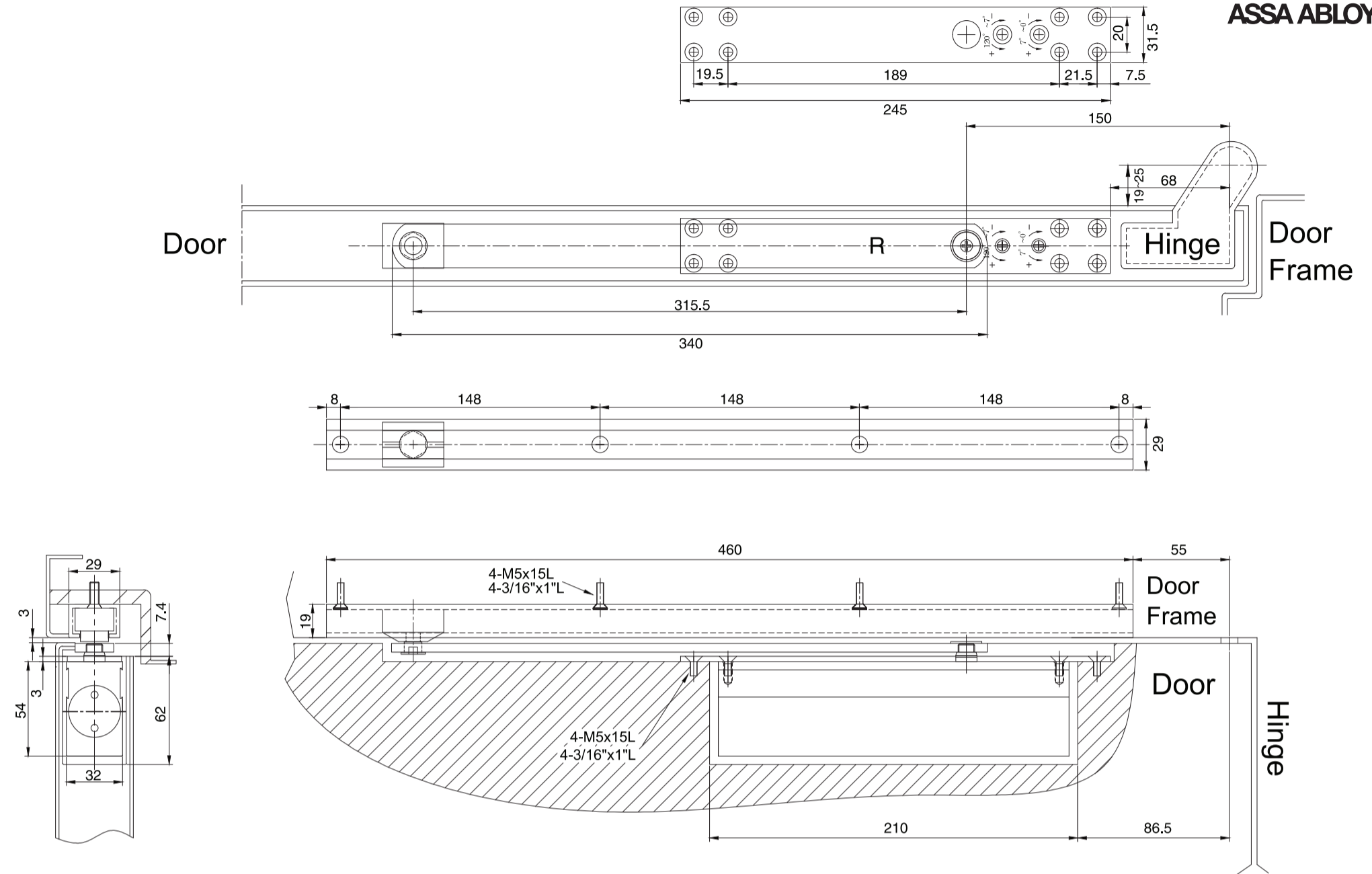


SC-CE3F Concealed Door Closer Clockwise Opening Installation Instructions (RH)



ASSA ABLOY



Contents

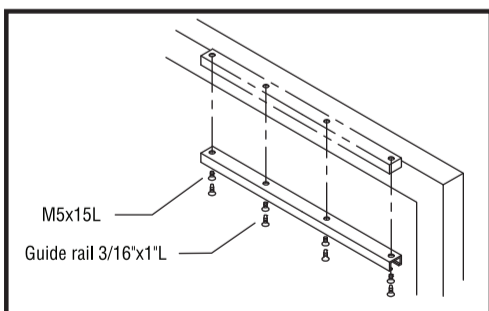
- 1 Body x 1
- 2 Fixing plate x 1
- 3 Main arm x 1
- 4 Guide rail x 1
- 5 Slider x 1
- 6 Fixing screw M8 x 1
- 7 Allen key x 1
- 8 Arm bolt
- 9 M5 x 15L x 4
- 10 3/16" x 1" L (wood screw) x 4
- 11 M5 x 12L x 4
- 12 M5 x 15L x 4
- 13 3/16" x 1" x 4

EN3
max. 950mm

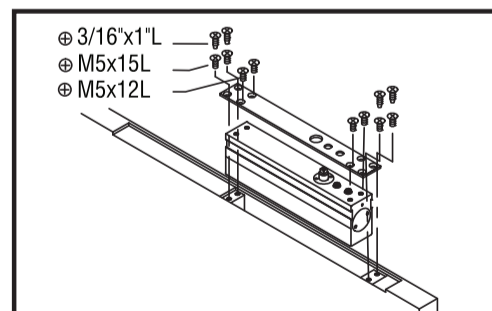
max. 120°

USE ORIGINAL COMPONENTS

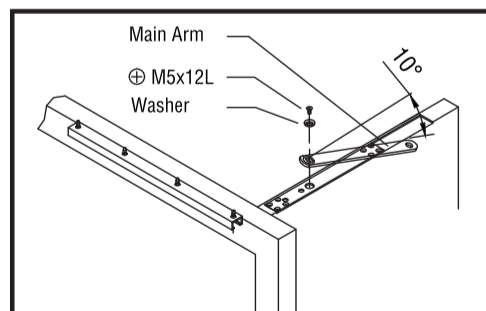
CE	UNION School St, Willenhall, West Midlands WV13 3PW								
SC-CE3F	EN 1154:1996/A12002 1121-CPR-AD5461	3	8	3	1	1	3		



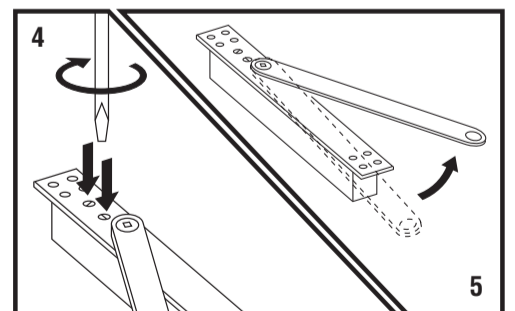
1 Fix guide rail into frame head.



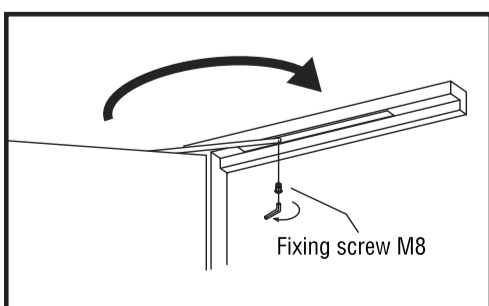
2 Install body with main arm into door leaf.



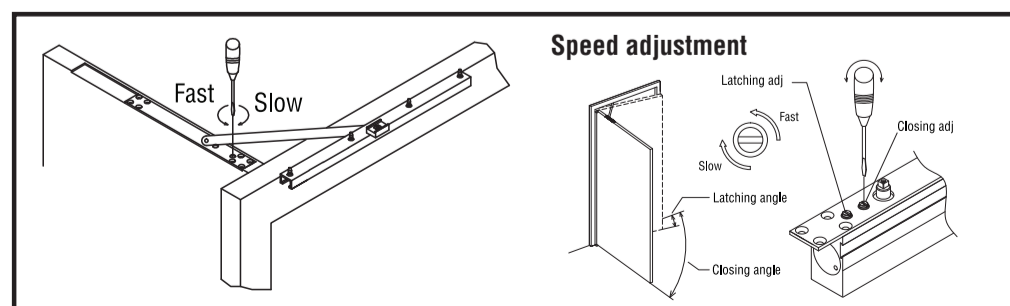
3 Attach main arm to the body.



4 Close off both closing and latch valve
5 Rotate main arm to clear fixing points to ease installation.



6 Connect main arm into guide rail slide block.

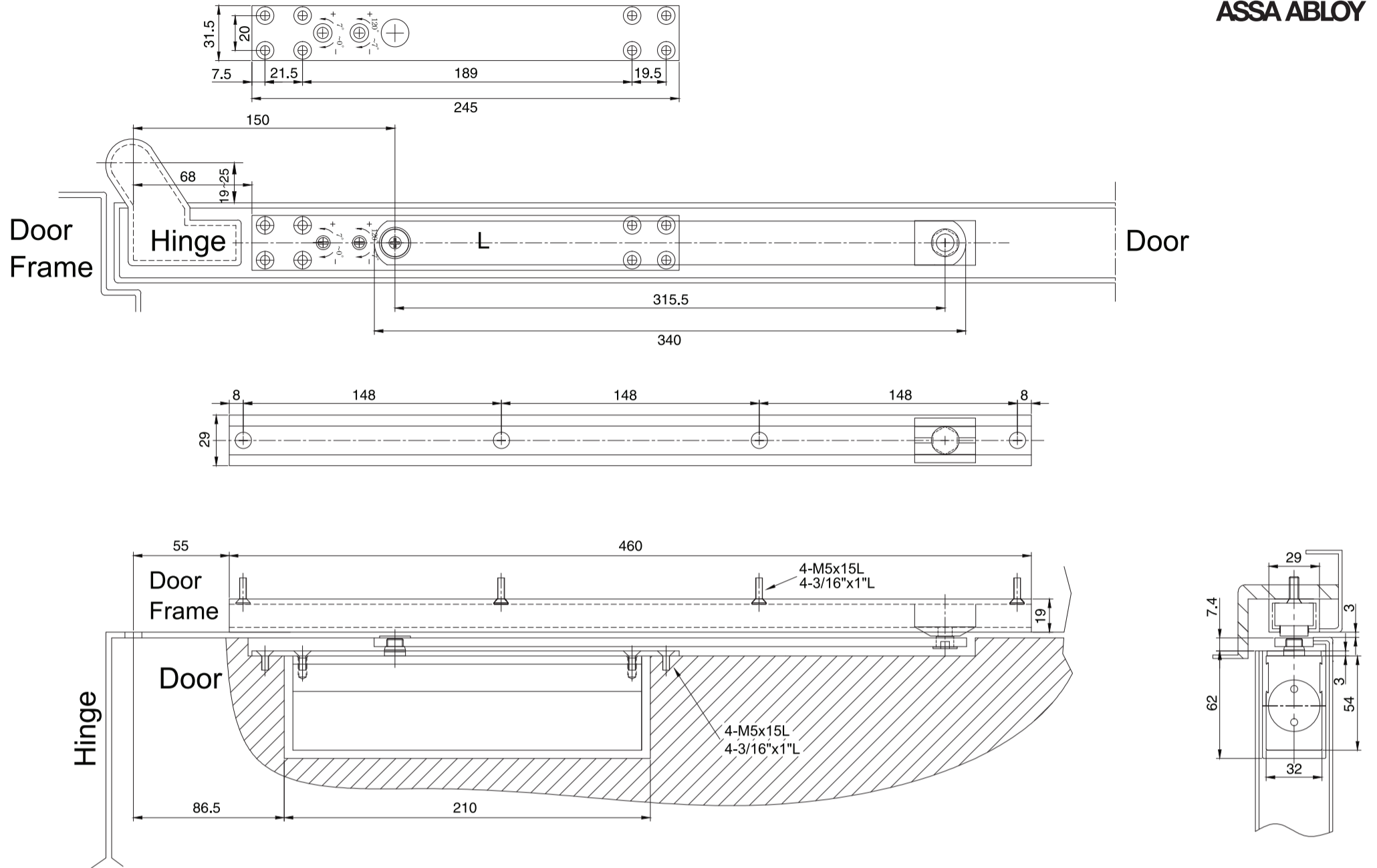


7 Open valve and adjust.

Optional accessories

- 1 Guide rail dampener - A110
- 2 Mechanical hold open - A100

SC-CE3F Concealed Door Closer Anti-clockwise Opening Installation Instructions (LH)



Contents

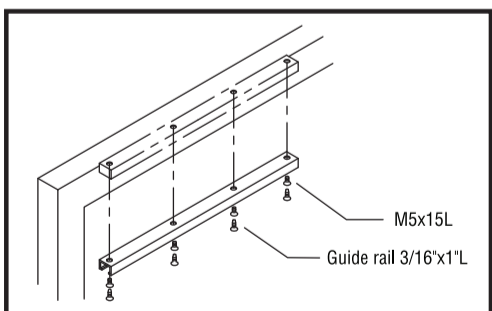
- 1 Body x 1
- 2 Fixing plate x 1
- 3 Main arm x 1
- 4 Guide rail x 1
- 5 Slider x 1
- 6 Fixing screw M8 x 1
- 7 Allen key x 1
- 8 Arm bolt
- 9 M5 x 15L x 4
- 10 3/16" x 1" L (wood screw) x 4
- 11 M5 x 12L x 4
- 12 M5 x 15L x 4
- 13 3/16" x 1" x 4

EN3
max. 950mm

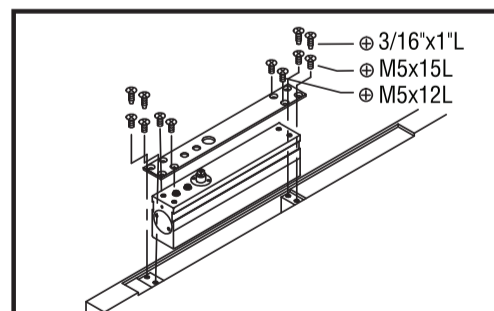
max. 120°

USE ORIGINAL COMPONENTS

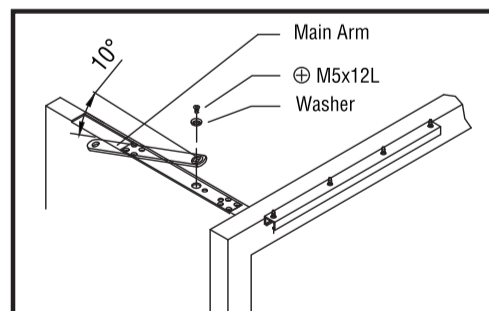
CE	UNION School St, Willenhall, West Midlands WV13 3PW	3	8	3	1	1	3
	SC-CE3F						



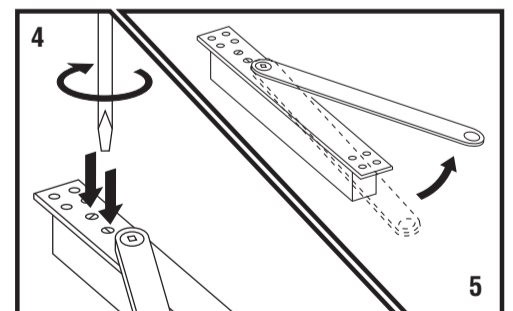
1 Fix guide rail into frame head.



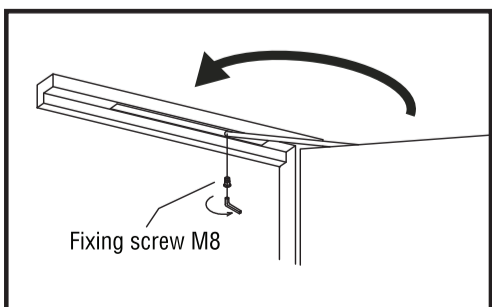
2 Install body with main arm into door leaf.



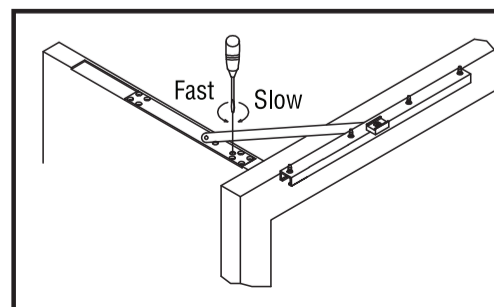
3 Attach main arm to the body.



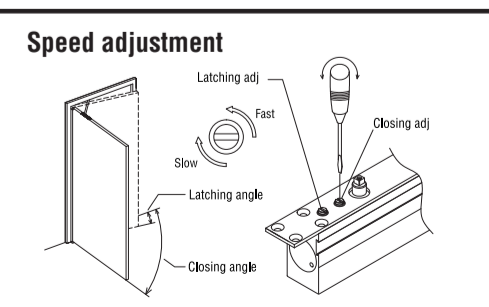
4 Close off both closing and latch valve
5 Rotate main arm to clear fixing points to ease installation.



6 Connect main arm into guide rail slide block.



7 Open valve and adjust.



Optional accessories

- 1 Guide rail dampener - A110
- 2 Mechanical hold open - A100